



3 years **warranty**

## Qualica-RD 6004B

Steel security door (electric lock)

**Qualica-RD 6004B** This door can be used stand-alone or in combination with a full-height turnstile. It has a standard relay signal for compatibility with various third party access control systems.

The color and dimensions are customizable to your needs. Logo is also customizable. Easy to install and maintain.

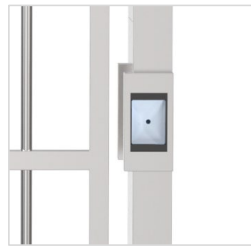
**3 years warranty.** This combination is the most common and ideal solution for managing access for package deliveries, carts and people with reduced mobility.



## Qualica-RD 6004B - Security door (electric lock)



Card Reader



Barcode and QR reader



Remote control



No contact



Fingerprint



Face

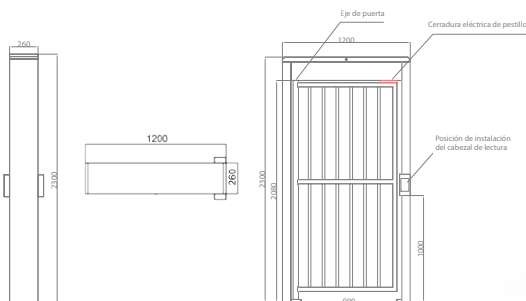


Palm of hands

### Technical specifications

Frame material	304 stainless steel	
Dimensions	1200 * 260 * 2300 mm	
Inside height	2080 mm	
Clearance width	900 mm	
Direction of passage	Unidirectional and Bidirectional	
Opening direction	Two way	
Net weight	60kg/unit	
MCBF	10 million	
Power supply	AC220V/110V, 50/60Hz	
Operating voltage	24V DC	
Power consumption	40W	
Operating temperature	-15 °C - 60 °C	
Operating humidity	0 ~ 95% (no freezing)	
Operating environment	Indoor / Outdoor (IP65 watertightness level)	
Flow rate	30 persons per minute	
Communication	Dry contact, relay signal	
Flexibility	Integration with any access control	
Emergency	In case of emergency the door will open	

### Dimensions (mm)



### Color options

